

**PVC Premium window
80 mm NEW PROFILE!
REHAU SYNEGO**

NEW ECONOMICAL 80 mm SYSTEM WITH VERY GOOD THERMAL INSULATION PROPERTIES.

The large construction depth of 80 mm allows the use of high-efficiency glazed units with max. three glazings. In addition, the multi-chamber system uses air for insulation purposes. Various shapes, colours, finishing options and a design frame open up diverse architectural solutions for windows.

Properties:

- construction depth: 80 mm / impact gasket
- number of chambers: 6 chambers (sash), 7 chambers (frame)
- thermal insulation: U_f up to 0,94 W/m²K
- sound insulation: up to sound insulation class 4
- burglary protection: up to resistance class 3
- air permeability: 4 (DIN EN 12207)
- protection from pouring rain: 9A (DIN EN 12208)

Design:

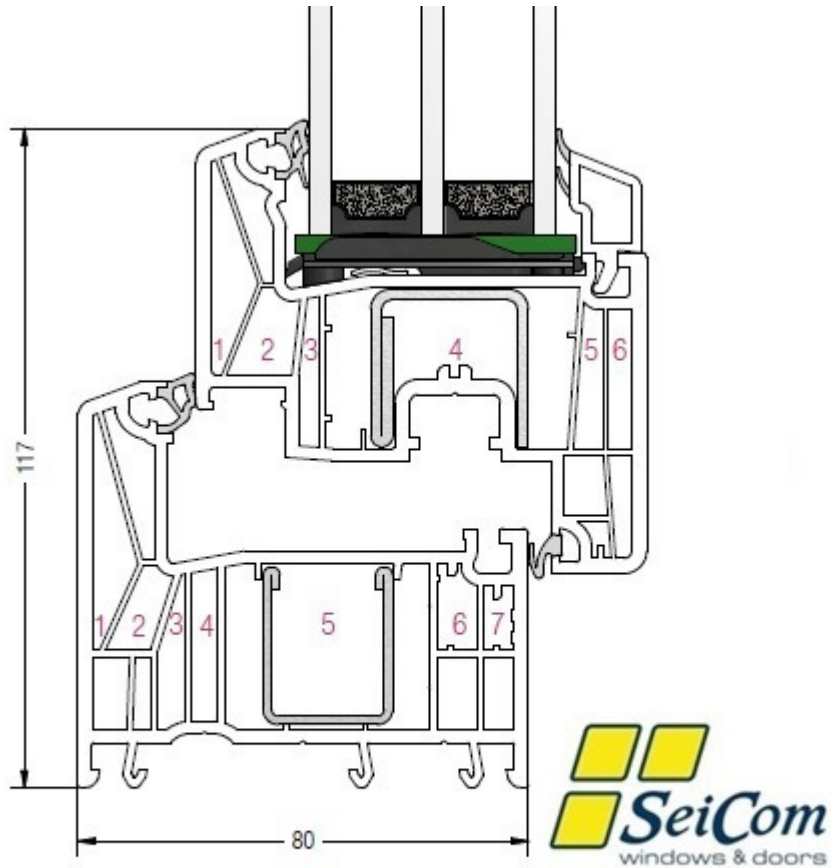
- diverse architectural possibilities through individual forms, such as round and triangular windows, also inclined windows and windows with decorative bars,
- a wide selection of colours as the profiles are laminated with decorative foil, varnished or finished with aluminium front panels,
- light-grey window gaskets on white profiles and black gaskets on coloured profiles create a nice accent,
- 20° chamfers and exterior rays of 5 mm for elegant optics.

Possibilities of application:

- for passive houses and energy-efficient renovation work,
- buildings with high level of energy loss and energy conscious renovation,
- elite housing,
- manufacture of windows, patio doors, exterior doors and sliding doors.

Benefits:

- for passive houses and energy-efficient renovation work,
- high wind and pouring rain resistance due to the intelligent geometry of profiles and steel reinforcement,
- visible width of 117 mm for optimal lighting,
- high rabbet depth of 51 mm for installing 3-layer glazed unit,
- High Definition Finishing top surface (HDF): of high quality, refined, very smooth and thus easy to maintain,
- environmentally friendly, recyclable.



SYNEGO AD